

The DXZC is a PC-over-IP® (PCoIP®) zero client based on the Tera2 chipset and supports two heads of video at the desktop. The DXZC is available in two versions. The standard DXZC has an RJ45 network port. The DXZC-M has a network port that accepts a copper or fiber SFP module (available separately). Each version is supplied with a PSU and power cable.

**Note:** This guide uses 'DXZC' as a generic term when referring to both the standard DXZC product and the DXZC-M product.

### Before you start

You must have already configured a remote computer and PCoIP host, ready for connection to the DXZC. The remote computer must be powered and connected to the appropriate network. You will need the IP address of the PCoIP host.

### Set up the DXZC

Using the diagrams below as a guide, connect the DXZC as follows:

1. Connect at least one compatible monitor to the DXZC, starting at the Video 1 port.
2. Connect a keyboard and mouse to the front panel USB ports.
3. Connect audio devices, if used.
4. Connect the network cable.
5. Connect the DXZC PSU. *Use only the PSU supplied with this DXZC!*
6. Power up the DXZC, monitor and remote workstation.

Now establish a PCoIP connection.

### Establish a PCoIP connection

After setting up your DXZC, you must establish a PCoIP session to connect the DXZC to a remote PCoIP host (or virtual desktop). The connection methods are summarized below.

- **Static connections:** To connect a DXZC directly to a specific PCoIP host card, use the **Direct to Host** session connection type and provide the IP address (or DNS name) for the PCoIP host. You must also configure a **Direct from Client** session connection type on the host. *Static connections are not practical for very large PCoIP deployments.*
- **SLP Discovery:** If your DXZC and PCoIP host reside on the same subnet, you can use the **Direct to Host + SLP** session connection type to discover available PCoIP hosts on the subnet. The OSD lists the first 10 hosts discovered. Choose the one you want to connect to.
- **Use a connection broker:** These third party applications dynamically assign DXZCs to host PCs based on the identity of the end-user. Use the **Connection Management Interface** session connection type on both the DXZC and PCoIP host. You will need to provide the IP address (or DNS name) for the connection broker.
- **Connecting the DXZC to a virtual desktop:** DXZCs can use PCoIP to connect to a virtual desktop in a VMware® View™ environment. You must provide the IP address (or DNS name) of the View Connection Server. If you want



users to log on manually, choose the **View Connection Server** session connection type. To set up automatic logons, choose the **View Connection Server + Auto-Logon** session connection type.

**Note:** Use the On Screen Display, Administrative Web Interface or PCoIP Management Console to establish the PCoIP connection. For full details about these connection methods, see the Session Connection Types section of the Teradici PCoIP® Zero Client and Host Administrator Guide, available to registered users from the Teradici Support Center.

**POWER / MENU switch:** A short button press turns on the unit. When the unit is on:

- A long button press turns off the unit.
- A short button press displays the On Screen Display configuration menu.

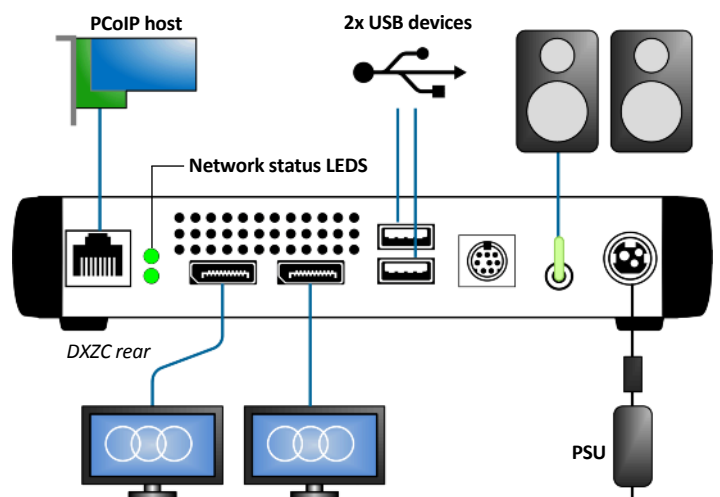
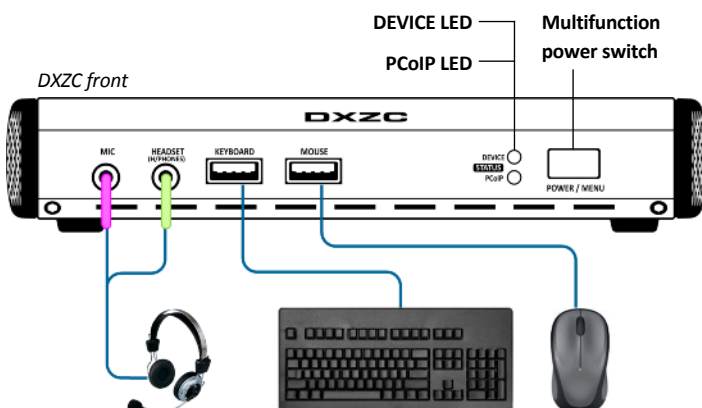
**LED indicators, front panel:** Show the PCoIP link status and power status:

- **PCoIP LED:** Shows the PCoIP link status. Green, active PCoIP link over copper connection. Blue, active PCoIP link over fibre connection. Green or blue flashing, PCoIP link is available but not in session.
- **DEVICE LED:** Shows the power status of the unit. Red, in standby. Amber, in standby *and* can be woken by WOL or USB activity. Amber flashing, unit starting up. Green, unit is on and connected to network. Green flashing, unit on but no network connection.

**LED indicators, rear panel.** LEDs by the network port show network status:

- **Upper LED:** Off, no network connection. Green constant, network. Green flash, network traffic detected.
- **Lower LED:** Off, no network connection or 10 Mbit/s connection. Amber, 100 Mbit/s connection. Green, 1 Gbit/s connection.

More DXZC documentation is available on the Amulet Hotkey website.



**Technical Support**

Europe: [eurowsupport@amulethotkey.com](mailto:eurowsupport@amulethotkey.com)

N America: [ussupport@amulethotkey.com](mailto:ussupport@amulethotkey.com)

**Product documentation and downloads**

[www.amulethotkey.com/resources](http://www.amulethotkey.com/resources)

**EMEA Sales**

+44 (0)20 7960 2400

[emeasales@amulethotkey.com](mailto:emeasales@amulethotkey.com)

**N America Sales**

+1 (212) 269 9300

[ussales@amulethotkey.com](mailto:ussales@amulethotkey.com)

**APJ Sales**

+61 431 745 057

+61 431 930 884

[apsales@amulethotkey.com](mailto:apsales@amulethotkey.com)

**Defence and Security**

[security@amulethotkey.com](mailto:security@amulethotkey.com)

**Head Office**

Amulet Hotkey Ltd

+44 (0)1626 837900

Cavalier Road, Heathfield Industrial Estate, Newton Abbot,  
Devon TQ12 6TQ, UK



**Caution**

To reduce the risk of electric shock, do not remove any circuit board or power supply covers. There are no user serviceable parts inside; refer to qualified personnel.

**Warning**

To reduce the risk of fire or electric shock, do not expose this appliance to rain and moisture. The appliance should not be exposed to dripping or splashing and no objects filled with liquids should be placed on or near the appliance.

**Safety instructions**

1. Clean the product only with a dry cloth.
2. Keep the product away from liquids.
3. Install in accordance with these instructions.
4. Do not install near significant sources of heat.
5. Ensure the product is properly earthed.
6. Only use attachments and accessories approved by Amulet Hotkey.

Refer all servicing to qualified personnel.

©2015 Amulet Hotkey Ltd. All rights reserved.

Information in this document is subject to change. No part of this document may be reproduced through any means including (but not limited to) electronic or mechanical, without express written permission from Amulet Hotkey Ltd. Amulet Hotkey Ltd may have patents, patent applications, trademarks or copyrights or other intellectual property rights covering subject matter in this document. PC-over-IP, PCoIP and the PCoIP logo are registered trademarks of Teradici Corp. Amulet Hotkey and 'solutions you can bank on' are registered trademarks of Amulet Hotkey Ltd. Other product names and company names listed within this document may be trademarks of their respective owners. Amulet Hotkey products are designed and built in the UK.