



K4u+

Keyboard, mouse and audio switch

[Datasheet](#)

[MOUSE POINT®](#)

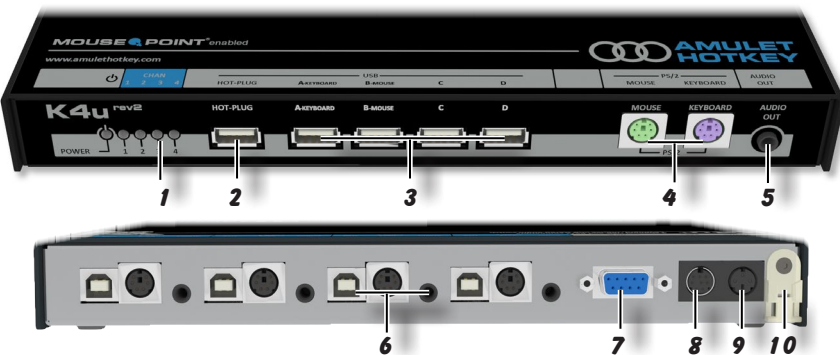
Create large, seamless and productive workspaces using the advanced and professional Amulet Hotkey K4u+ KVM switch.

The K4u+ is ideal for productivity where users work with multiple computers, creating one workspace with a single keyboard and mouse. In these advanced workspaces, the displays are dedicated to a specific workstation and only the keyboard, mouse, USB and audio are switched. This allows simultaneous viewing of applications across all workstations in the workspace without video switching.

Combine K4u+ switches with Amulet Hotkey remote workstation and zero client KVM extension solutions for flexible, agile and reliable workspaces with no distance limitations. These workspaces can be a mix of local or remote workstations, virtual workstations or desktops, cloud managed desktops, even laptops or PCs and closed systems. Amulet Hotkey Mouse Point® switches the channels easily as the mouse is moved from screen to screen.

The K4u+ is designed for mission and business critical environments where reliability and security are paramount. Create a workspace with:

- computers on different security levels or isolated networks
- workstations and desktops that use separate applications and drivers, giving you improved performance and more effective IT support
- different operating systems - Windows, Linux, macOS or closed systems
- workstations shared between users for efficient multi-stage workflows



1 Status LEDs. **2** Hot-plug USB port. **3** Keyboard, mouse and two USB ports.
4 Legacy PS/2. **5** Audio output. **6** USB, Audio and PS/2 output (channels 1-4).
7 Management interface. **8** Feature connector. **9** Power. **10** Cable management.

Key features and benefits

- Enable advanced and productive workflows
- Free up valuable desk space
- Connect up to 4 workstations or PCs from a single keyboard, mouse and speakers
- Cascade multiple K4u+ switches to support even more workstations
- Seamless workspace with Mouse Point® channel switching
- SaverSync™ screen management to save power
- Share workstations between users for efficiency and multi-stage workflows
- Hot-plug port for USB peripherals like printers
- Support for trading keyboards such as Bloomberg STB100 and Reuters FXT
- Audio switching or mixing with hotkeys to mute individual channels
- For video switching, see the K4vu KVM switch

Easy access, control and maintenance

- Instant channel switching with Mouse Point, hotkeys, mouse clicks, or external controller
- Flash programmable, including remote scheduled firmware updates via USB link
- Simple and fast configuration using DIP switches

Security and reliability

- Advanced engineering and design for reliability, strict emissions control and isolation to prevent channel cross-talk and key-stroke recording
- Supports smart card readers and intelligent smart card channel switching
- Robust metal case with power cord locking
- Tempest level B secure versions available

EMEA Sales

+44 (0)20 7960 2400
emeasales@amulethotkey.com

N America Sales

+1 (212) 269 9300
ussales@amulethotkey.com

APJ Sales

+61 409 930 884
apsales@amulethotkey.com

Defence and Security

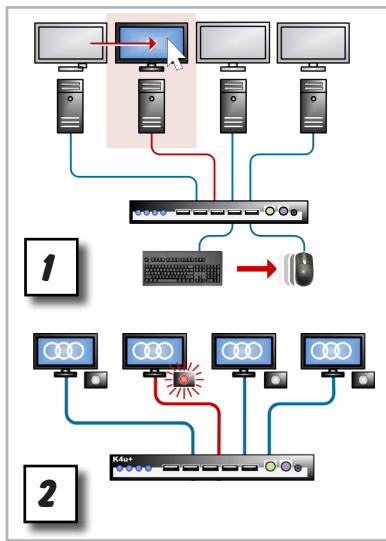
security@amulethotkey.com

Head Office

Amulet Hotkey Ltd
Cavalier Road, Heathfield Industrial Estate,
Newton Abbot, Devon TQ12 6TQ, UK
+44 (0)1626 837900

Technical Support

Europe: eurosupport@amulethotkey.com
N America: ussupport@amulethotkey.com



1. **Mouse Point:** Move to change channels
2. **Focus indicator:** LEDs below monitors

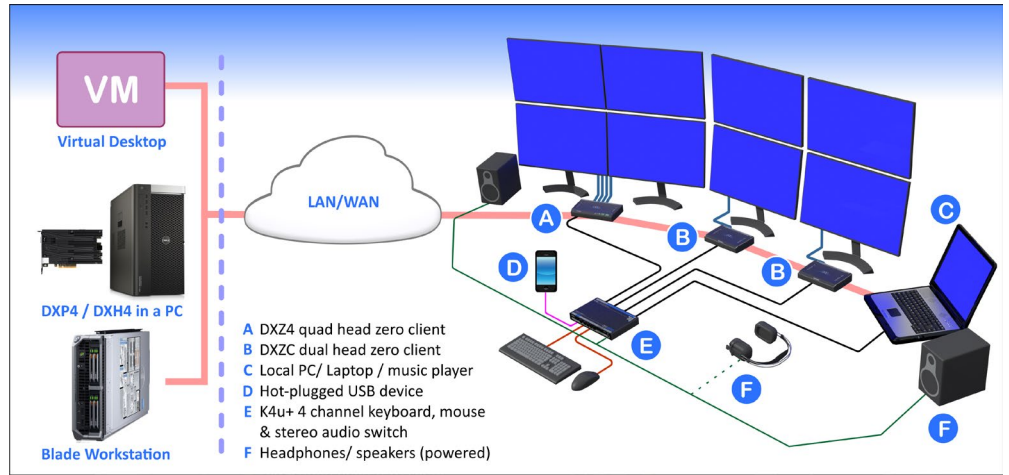


Towards greener computing

©2017 Amulet Hotkey Ltd. All rights reserved. Information in this document is subject to change. No part of this document may be reproduced through any means including (but not limited to) electronic or mechanical, without express written permission from Amulet Hotkey Ltd. Amulet Hotkey Ltd may have patents, patent applications, trademarks or copyrights or other intellectual property rights covering subject matter in this document. PC-over-IP, PCoIP and the PCoIP logo are registered trademarks of Teradici Corp. Amulet Hotkey Mouse Point and SaverSync are registered trademarks of Amulet Hotkey Ltd. Other product names and company names listed within this document may be trademarks of their respective owners. Amulet Hotkey products are designed and built in the UK.

K4u* Datasheet DS-K4UP-0001 v2.5 October 2017

www.amulethotkey.com



K4u+ Example system overview

Mouse Point®: Provides automatic channel changing when the user moves the cursor to another screen. The configuration utility allows fast and easy setup of screens.

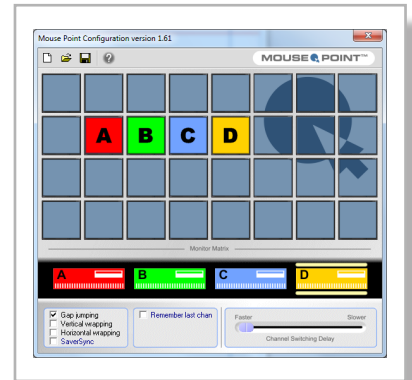
SaverSync™: Keeps all displays visible if there is activity on any channel. Helps to meet screensaver and power policies.

Hot-plug port: For the transparent connection of a USB peripheral to a workstation. The connection can be fixed to one computer or switched between workstations.

Smart Card: Support for USB smart card readers. Intelligent smart card connection management including a hotkey to emulate card removal/insertion to simplify authentication.

Focus indicator LEDs (optional): Show which monitor is currently being addressed by keyboard and mouse.

K4 controller (optional): For simple channel selection when the K4u+ is secured in a locked cabinet or cable tray.



Mouse Point configuration application



K4 Controller. Sits next to keyboard

Computer connection (Channel input)	Keyboard & mouse: 4 x USB type B Audio: 4 x 3.5 mm stereo audio socket Legacy Keyboard & mouse: 4 x 6-pin Mini-DIN socket
Console connection (Front panel)	Keyboard & Mouse: 4 x USB Type A Audio output: 1 x 3.5 mm stereo audio socket Legacy keyboard: 6-pin Mini-DIN socket. Note: PS/2 mouse not supported
Hot-plug port	1 x USB type A (USB 1.1 support)
Channel switching	Rapid switching via mouse clicks, keyboard shortcuts, Mouse Point or external K4 controller. Active sensing automatically skips unused channels.
Mouse Point	Automatic channel changing based on mouse movement. Supports Windows or Linux Workstations/PCs. Windows configuration utility.
Expansion	Flexible configuration options to cascade up to five K4u+ switches to support connection of up to 16 workstations.
Flash programmable	Via USB connection to attached computer or 1 x D9 socket. Firmware update scheduling option via USB.
Power supply	12V 1.25 A external power supply unit
Power consumption	Less than 5W (Switch only)
Temperature range	Operating: 10° to 35°C (50° to 95°F) Storage: -10°C to 60°C (14° to 140°F) Humidity: 20-80% (condensing), 10 to 90% (non condensing)
Dimensions	250 x 31 x 155 mm (9.8 x 1.2 x 6.1 inches)
Unit weight	Unit: 1.4 Kg (3.0 lbs). Shipping: 3 Kg (6.5 lbs)
Compliance	TAA compliant. Conforms to relevant parts of EN55024, EN55022 and FCC Part 15B TEMPEST level B versions available by special arrangement.