



## DXZC PCoIP zero client

### Datasheet

Certified Product



Foundation Grade  
RDT572298

The Amulet Hotkey DXZC is a Tera2 PCoIP® zero client. Built to our usual high standards, the DXZC supports two video heads in a compact tough case and is ideal for mission critical applications.

The DXZC zero client decodes encrypted pixel data sent from a remote PCoIP host and manages local (desktop) USB devices. All communications use AES-256 encryption for the highest levels of security. The DXZC also provides full duplex stereo audio, dual DisplayPort video outputs and four USB 2.0 sockets. It has multi-colour status LEDs and a single switch that controls power and access to an on-screen configuration menu. It also has a very low noise and heat signature.

Where secure, uncompromised performance and lossless graphics for remote desktop applications are paramount, the DXZC provides the best solution.

### UK Government Security Certification

The DXZC zero client is certified as secure by CESG, the National Technical Authority for Information Assurance within the UK. The CESG assists Government Departments with cyber security and have approved the DXZC-AM for use at the 'OFFICIAL' level within Government and public sector organizations.

TEMPEST versions of this product, approved to NATO SDIP-27 Level A and Level B by our TEMPEST-certified CESG and NATO partners, are available on special request. Contact Amulet Hotkey sales for more information.



**DXZC-M rear view.** **1** Network port and SFP module. **2** Dual DisplayPort connectors. **3** Dual USB ports. **4** Feature connector. **5** Line level audio output. **6** DC power inlet.

### Key features

- Compact and highly secure PCoIP zero client
- Supports high-resolution displays: dual video up to 1920x1200, or single video up to 2560x1600
- Exceptional performance including real-time video and demanding 3D graphics
- Connect to virtual desktops, cloud managed desktops or for the most demanding graphics, connect to remote physical/virtual workstations
- Easy to configure and manage

### Network connection

- Supports a 10/100/1000 network connection. SFP modules for copper or fibre optic cabling
- Remote connections that can be local, across country, or continent-to-continent

### Easy configuration and maintenance

- Compatible with all major OSs-plug and play
- Use with hardware/software-based PCoIP hosts
- Hardware PCoIP hosts support Wake-on-LAN
- Power-cycle remote computers from zero client

### Security

- Only display pixels are sent to the client so no sensitive data ever reaches the client
- Zero Clients have no X86-processor, no Windows or Linux client OS, no client GPU and no local storage which eliminates exploits common with other client endpoints
- Extensive security features including support for 256-bit AES encryption, NSA Suite-B ciphers, smart card, proximity card, SIPR tokens and much more

## EMEA Sales

+44 (0)20 7960 2400  
emeasales@amulethotkey.com

## N America Sales

+1 (212) 269 9300  
ussales@amulethotkey.com

## APJ Sales

+61 409 930 884  
apsales@amulethotkey.com

## Latin America Sales

latamsales@amulethotkey.com

## Defence and Security

security@amulethotkey.com

## Head Office

Amulet Hotkey Ltd  
Cavalier Road, Heathfield Industrial Estate,  
Newton Abbot, Devon TQ12 6TQ, UK  
+44 (0)1626 837900

## Technical Support

EMEA: eurosupport@amulethotkey.com  
N America: ussupport@amulethotkey.com

## About PCoIP systems

PCoIP systems are fully secure and support build to a lossless image, making them ideal for the most demanding of applications. Amulet Hotkey PCoIP zero clients are desktop devices that connect to a remotely located 'host' using the PCoIP protocol.

## DXZC-models

The DXZC is available in three versions. The standard DXZC has an RJ45 network port. The DXZC-M and DXZC-AM (CPA certified version) have network ports that accept a copper or fiber SFP module (available separately, see the *SFP Modules Datasheet* for details).



### Towards greener computing

©2016 Amulet Hotkey Ltd. All rights reserved.  
Information in this document is subject to change. No part of this document may be reproduced through any means including (but not limited to) electronic or mechanical, without express written permission from Amulet Hotkey Ltd. Amulet Hotkey Ltd may have patents, patent applications, trademarks or copyrights or other intellectual property rights covering subject matter in this document. PC-over-IP, PCoIP and the PCoIP logo are registered trademarks of Teradici Corp. Amulet Hotkey and 'solutions you can bank on' are registered trademarks of Amulet Hotkey Ltd. Other product names and company names listed within this document may be trademarks of their respective owners. Amulet Hotkey products are designed and built in the UK.

DXZC Datasheet DS-DXZC-0001 v2.7 August 2016

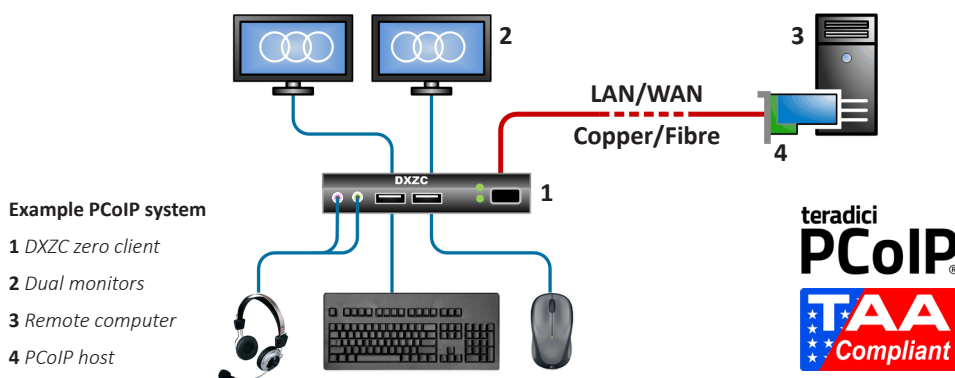
[www.amulethotkey.com](http://www.amulethotkey.com)

## Getting connected

DXZC zero clients support any user type from mainstream office desktops, to the most demanding 3D performance workstations. Connection options include virtual desktops such as VMware Horizon, Cloud Managed Desktops such as Amazon Web Services Workspaces, or remote physical or virtual workstations for demanding users.

Implemented in hardware (as shown here) or in software, using VMware Horizon or Amazon Workspaces, the PCoIP host encodes USB, audio and video from the host and compresses/encrypts the data for transmission across an IP network to the zero client.

The zero client then decrypts and decompresses the data, and delivers it to the desktop monitors and peripherals (such as keyboard, mouse, speakers or headset). The zero client also passes user-generated USB and audio data back to the PCoIP host. The result for the user is that the desktop looks and feels like it is at their desk. Because zero clients simply decode pixels to display images, they are simpler and more secure than a traditional PC and other thin client solutions.



<b>Processor</b>	Teradici Tera2321 PCoIP processor
<b>Memory</b>	512MB DDR3 RAM
<b>Video output</b>	2 x DisplayPort connectors (dual mode)
<b>Display support</b>	1920 x 1200 maximum (dual monitors) @ 60 Hz 2560 x 1600 maximum (single monitor) @ 60 Hz
<b>Audio connections</b>	Stereo headset/headphones, stereo line out, stereo mic. All 3.5mm jacks
<b>USB connections</b>	4 x USB 2.0
<b>Network connections</b>	<b>DXZC:</b> Single RJ45: 10/100/1000BaseT <b>DXZC-M, DXZC-AM:</b> Single SFP module: Fiber or copper; 1 Gbit/s or 1 Mbit/s. Available modules are listed in the <i>SFP Modules Datasheet</i>
<b>Cooling</b>	Passive
<b>Case</b>	Robust enclosure
<b>Power consumption</b>	<b>DXZC:</b> Less than 9W excluding USB peripherals <b>DXZC-M/DXZC-AM:</b> Less than 11W excluding USB peripherals
<b>Temperature range</b>	Operating: 15° to 35° C (59° to 95° F) Storage: -10° to 60° C (15° to 145° F)
<b>Size (H x W x D)</b>	30 x 176 x 133 mm (1.2 x 6.9 x 5.2")
<b>Security</b>	Strong encryption and authentication including 256-bit AES and NSA Suite-B ciphers. 2 factor authentication options including CAC/PIV cards, smart cards, prox-cards, e-tokens, SIPR tokens. IEEE 802.1X network authentication. Unique USB lockdown control. Kensington Lock slot
<b>Compliance</b>	TAA compliant Conforms to relevant parts of EN55024, EN55022 and FCC Part 15. TEMPEST versions of the DXZC are available, approved to NATO SDIP-27 Level A and Level B by our TEMPEST-certified CESG and NATO partners

**CESG Certification:** The UK Government has certified the DXZC-AM running firmware 4.8.0 (or newer) as secure for Remote Desktop Security Characteristic version 1.0 at Foundation Grade. CESG certificate number: RDT5722298.